

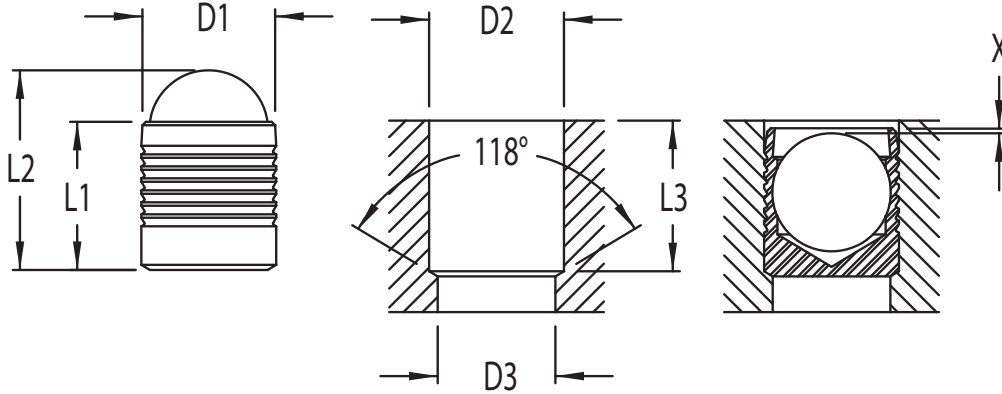


EIS
ENGINEERED
 INSERTS & SYSTEMS, INC.

EIS-88 Inch Series Sealing Plugs

“8” Plug
 316 Stainless Steel

“8” Ball
 316 Stainless Steel



(Dimensions in inches unless otherwise specified)

D1	L1	L2	D2 + 0.004 - 0	D3 max.	L3 min.	X + 0 - 0.010	Type
.1562	.157	.21	.1562	.130	.150	0.010	EIS-88-156
.1875	.216	.28	.1875	.160	.209	0.010	EIS-88-187
.2187	.220	.28	.2187	.190	.208	0.010	EIS-88-218
.2500	.256	.34	.2500	.220	.248	0.010	EIS-88-250
.2812	.295	.40	.2812	.250	.287	0.010	EIS-88-281
.3125	.334	.46	.3125	.281	.327	0.010	EIS-88-312
.3437	.394	.53	.3437	.312	.385	0.010	EIS-88-343
.3750	.433	.60	.3750	.343	.425	0.010	EIS-88-375
.4062	.437	.59	.4062	.375	.425	0.010	EIS-88-406
.4375	.515	.68	.4375	.406	.503	0.010	EIS-88-437
.4687	.515	.71	.4687	.437	.504	0.010	EIS-88-468
.5625	.570	.82	.5625	.510	.570	0.010	EIS-88-562
.6250	.669	.91	.6250	.649	.649	0.010	EIS-88-625
.6875	.748	1.03	.6874	.727	.727	0.010	EIS-88-687
.7500	.866	1.18	.7500	.963	.845	0.010	EIS-88-750
.8750	.984	1.35	.8750	.845	.963	0.010	EIS-88-875

Engineered Inserts & Systems, Inc.

Certified ISO/TS 16949-2009

RoHS Compliant

Phone: 203-301-3334

Fax: 203-301-3335

Web: eisinserts.com