



EIS
ENGINEERED
 INSERTS & SYSTEMS, INC.

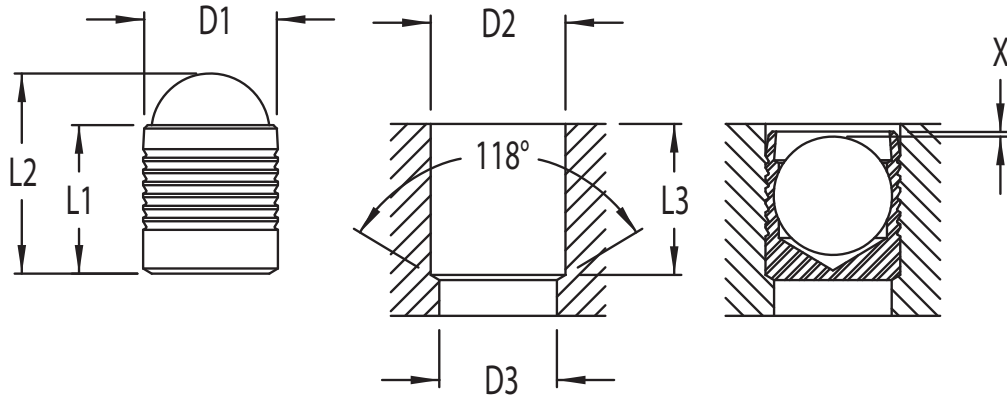
EIS-88 Inch Short Series Sealing Plugs

“8” Plug

316 Stainless Steel

“8” Ball

316 Stainless Steel



(Dimensions in inches unless otherwise specified)

D1	L1	L2	D2 + 0.004 - 0	D3 max.	L3 min.	X + 0 - 0.010	Type
.0937	.098	.12	.0937	.070	.081	0.010	EIS-88-093S
.1250	.125	.16	.1250	.100	.113	0.010	EIS-88-125S
.1562	.125	.17	.1562	.130	.113	0.010	EIS-88-156S
.1875	.187	.24	.1875	.160	.170	0.010	EIS-88-187S
.2187	.187	.25	.2187	.190	.170	0.010	EIS-88-218S
.2500	.225	.30	.2500	.220	.196	0.010	EIS-88-250S
.2812	.256	.35	.2812	.250	.233	0.010	EIS-88-281S
.3125	.280	.39	.3125	.281	.255	0.010	EIS-88-312S
.3437	.307	.43	.3437	.312	.275	0.010	EIS-88-343S
.4062	.365	.52	.4062	.375	.308	0.010	EIS-88-406S

Engineered Inserts & Systems, Inc.

Certified ISO/TS 16949-2009

RoHS Compliant

Phone: 203-301-3334

Fax: 203-301-3335

Web: eisinserts.com