

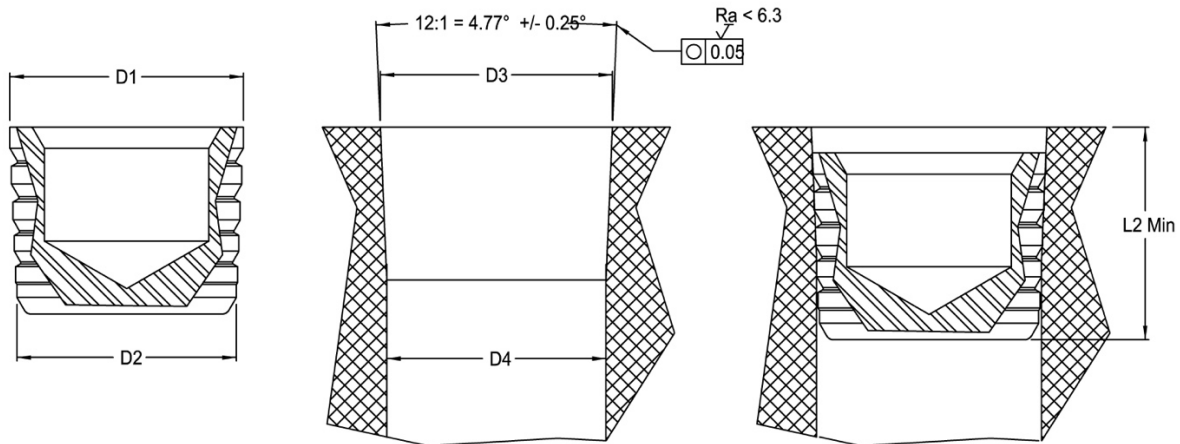


EIS
ENGINEERED
 INSERTS & SYSTEMS, INC.

EIS LB Tapered Sealing Plugs

Material: 416SS

Max. Operating: 60 Bar (900 psi)



(Dimensions in mm unless otherwise specified)

Size	D1	D2	D3 Min	D4 +0,1/-0,3	L1	L2 Min	EIS P/N
4	4,40	3,7	4,55	4,0	5,0	6,0	EIS-4LB-040
5	5,40	4,7	5,55	5,0	6,0	7,0	EIS-4LB-050
6	6,40	5,7	6,55	6,0	6,0	7,0	EIS-4LB-060
7	7,40	6,7	7,55	7,0	6,0	7,0	EIS-4LB-070
8	8,40	7,7	8,60	8,0	7,0	8,0	EIS-4LB-080
9	9,60	9,0	9,70	9,0	7,5	8,5	EIS-4LB-090
10	10,65	10,0	10,80	10,0	8,5	9,5	EIS-4LB-100
12	12,75	12,0	12,90	12,0	9,5	10,5	EIS-4LB-120

Engineered Inserts & Systems, Inc.

Certified ISO/TS 16949-2009 RoHS Compliant

Phone: 203-301-3334 Fax: 203-301-3335 Web: eisinserts.com