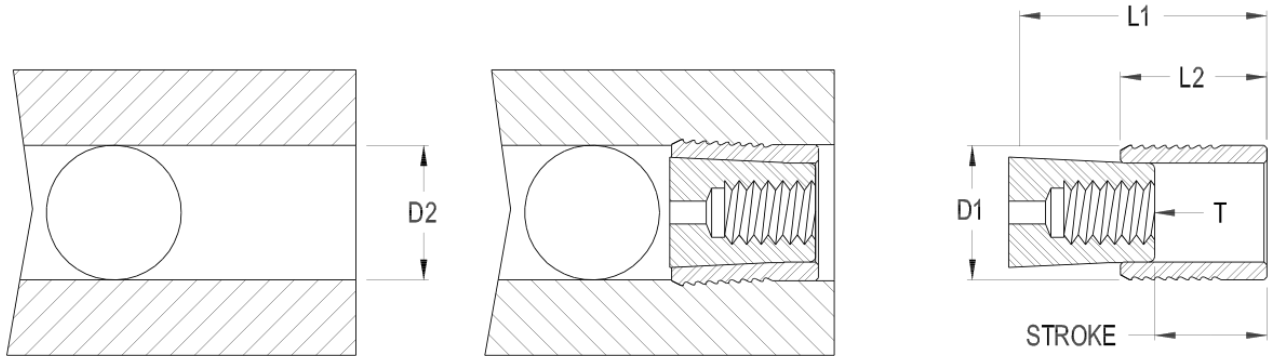


## EIS RSO Metric Series PULLPLUGS™

Patent: 10.859,105

Sleeve and Pin Materials: See Below



(Dimensions in mm unless otherwise specified)

| D1   | L1<br>+0.25/-0.25 | D2<br>+0.1/-0.0 | L2   | STROKE          | T          | EIS P/N   |
|------|-------------------|-----------------|------|-----------------|------------|---|
| 5,0  | 9,4               | 5,0             | 5,5  | 4,0 +0.00/ -1.0 | 4-40UNC    | EIS- <span style="color:red">□</span> RSO <span style="color:green">○</span> -050 |
| 6,0  | 11,5              | 6,0             | 6,5  | 5,0 +0.00/ -1.0 | 3,0 X 0,5  | EIS- <span style="color:red">□</span> RSO <span style="color:green">○</span> -060 |
| 7,0  | 13,5              | 7,0             | 7,5  | 6,0 +0.00/ -1.0 | 4,0 x 0,7  | EIS- <span style="color:red">□</span> RSO <span style="color:green">○</span> -070 |
| 8,0  | 15,4              | 8,0             | 8,5  | 6,8 +0.00/ -1.0 | 4,0 X 0,7  | EIS- <span style="color:red">□</span> RSO <span style="color:green">○</span> -080 |
| 9,0  | 16,4              | 9,0             | 9,5  | 6,8 +0.00/ -2.0 | 5,0 x 0,8  | EIS- <span style="color:red">□</span> RSO <span style="color:green">○</span> -090 |
| 10,0 | 19,5              | 10,0            | 10,5 | 9,0 +0.00/ -2.0 | 6,0 X 1,0  | EIS- <span style="color:red">□</span> RSO <span style="color:green">○</span> -100 |
| 12,0 | 13,2              | 12,0            | 7,5  | 5,7 +0.00/ -2.0 | 5.0 X 0.8  | EIS- <span style="color:red">□</span> RSO <span style="color:green">○</span> -120 |
| 14,0 | 13,9              | 14,0            | 8,0  | 5,9 +0.00/ -2.0 | 6.0 X 1.0  | EIS- <span style="color:red">□</span> RSO <span style="color:green">○</span> -140 |
| 16,0 | 18,2              | 16,0            | 10,5 | 7,7 +0.00/ -2.5 | 8.0 X 1.25 | EIS- <span style="color:red">□</span> RSO <span style="color:green">○</span> -160 |
| 18,0 | 20,2              | 18,0            | 12,0 | 8,2 +0.00/ -2.5 | 8.0 X 1.25 | EIS- <span style="color:red">□</span> RSO <span style="color:green">○</span> -180 |
| 20,0 | 22,2              | 20,0            | 13,0 | 9,2 +0.00/ -2.5 | 10.0 X 1.5 | EIS- <span style="color:red">□</span> RSO <span style="color:green">○</span> -200 |
| 22,0 | 22,2              | 22,0            | 13,0 | 9,2 +0.00/ -2.5 | 10.0 X 1.5 | EIS- <span style="color:red">□</span> RSO <span style="color:green">○</span> -220 |

□ Plug Material:

1 = Case Hardening Steel, Black Oxide Finish

3 = 303 Stainless Steel

5 = 6061

○ Pin Material:

4 = 416SS

7 = 17-4PH

5 = 7075 T6

Example: EIS-1RSO7-100-040 (Steel plug with a 17-4PH pin and a .040" drilled orifice)

**Engineered Inserts & Systems, Inc.**

Certified IATF 16949-2016 RoHS Compliant

Phone: 203-301-3334

Fax: 203-301-3335

Web: [eisinserts.com](http://eisinserts.com)