



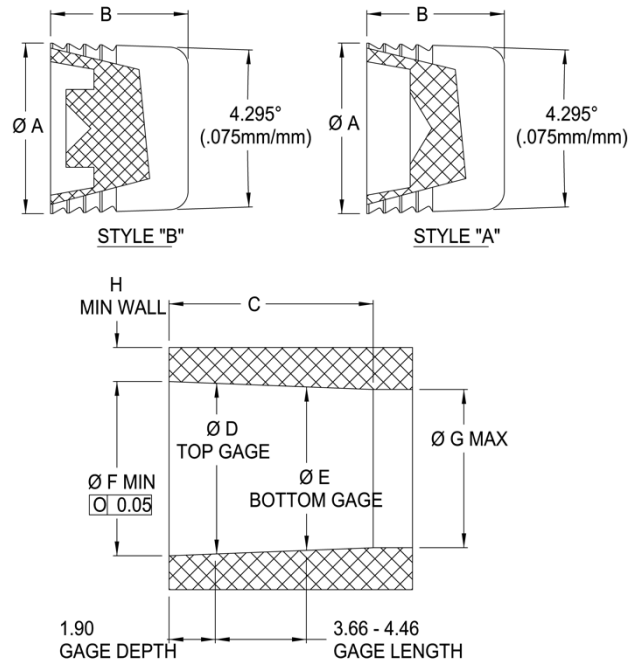
EIS
ENGINEERED
 INSERTS & SYSTEMS, INC.

EIS B Blocker Sealing Plugs

Patent: 10,751,967 & 10,940,661

Material: 6061 Aluminum

Max. Operating: 35 Bar (500 psi)



(Dimensions in mm unless otherwise specified)								
B-Blocker Size Ø "A"	Style	Plug Length	Top Gage	Bottom Gage	Max. Thru	Min. Opening	Min. Wall	Min. Taper
		"B"	Ø "D"	Ø "E"	Hole Ø "G"	Ø "F"	Thickness "H"	Depth "C"
4	A	4.98	4.01	3.69	3.40	4.16	2.10	10.00
5	A	4.98	5.01	4.69	4.40	5.16	2.10	10.00
6	A	5.64	6.01	5.69	5.40	6.16	2.10	10.00
7	B	5.64	7.01	6.69	6.40	7.16	2.45	10.00
8	B	5.64	8.01	7.69	7.40	8.16	2.80	10.00
9	B	7.10	9.01	8.69	8.38	9.16	3.15	12.00
11	B	7.10	11.03	10.71	10.39	11.18	3.85	12.00
13	B	7.10	13.03	12.71	12.40	13.18	4.55	12.00
16	B	7.10	16.03	15.71	15.39	16.18	5.25	12.00

Engineered Inserts & Systems, Inc.

QMS is certified to IATF 16949

RoHS Compliant

Phone: 203-301-3334

Fax: 203-301-3335

Web: eisinserts.com