

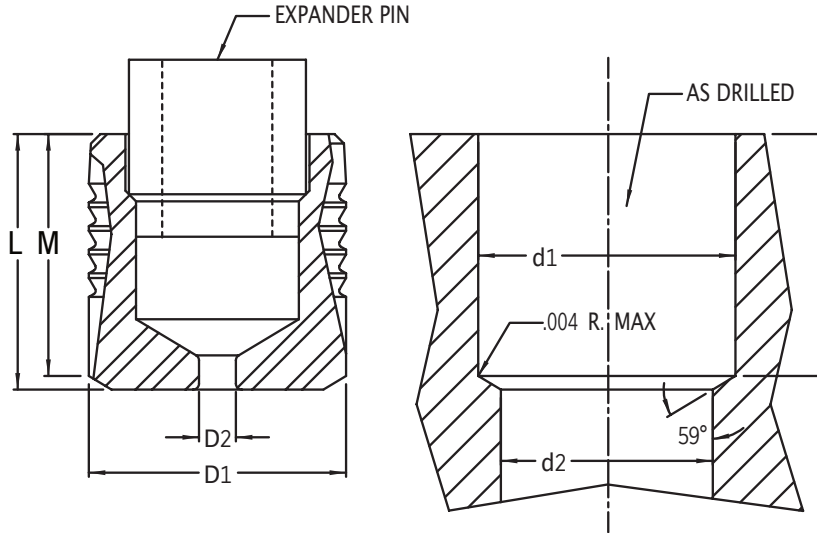


EIS
ENGINEERED
 INSERTS & SYSTEMS, INC.

EIS Expansion Restrictors

Calibrated Orifices
 Custom Sizes Available
 Easy As 1-2-3 To Install

All Stainless Steel
 Flow Testing Available



ENGLISH EXPANSION SIZES							
Part Number	Restrictor Dimensions				Hole Dimensions		
	+ 0	+0/-0.006	+0/-0.006	+/- .001	+0.004/-0	(min)	(max)
	D1 (in)	L (in)	M (in)	D2 Orifice size (in)	d1	A	d2
EIS-RE-156-XXX	.1562/-0.0012	.161	.149	.012 thru .050	.1562	.149	.130
EIS-RE-187-XXX	.1875/-0.0012	.220	.208	.012 thru .070	.1875	.208	.160
EIS-RE-218-XXX	.2187/-0.0012	.220	.208	.012 thru .085	.2187	.208	.190
EIS-RE-250-XXX	.2500/-0.0012	.259	.247	.012 thru .105	.2500	.247	.220
EIS-RE-281-XXX	.2817/-0.0014	.299	.287	.012 thru .130	.2812	.287	.250
EIS-RE-312-XXX	.3125/-0.0014	.338	.326	.012 thru .150	.3125	.326	.281
EIS-RE-343-XXX	.3437/-0.0014	.397	.385	.012 thru .160	.3437	.385	.312
EIS-RE-375-XXX	.3750/-0.0014	.397	.385	.012 thru .180	.3750	.385	.343
EIS-RE-406-XXX	.4062/-0.0014	.437	.425	.012 thru .195	.4062	.425	.375
EIS-RE-437-XXX	.4375/-0.0014	.515	.503	.012 thru .220	.4375	.503	.406
EIS-RE-468-XXX	.4687/-0.0017	.515	.503	.012 thru .240	.4687	.503	.437
EIS-RE-562-XXX	.5625/-0.0017	.594	.570	.012 thru .290	.5625	.570	.510

Example: EIS-RE-156-015 describes a .156" stainless steel EIS restrictor with a .015" orifice

Engineered Inserts & Systems, Inc.

QMS is certified to IATF 16949

RoHS Compliant

Phone: 203-301-3334

Fax: 203-301-3335

Web: eisinserts.com

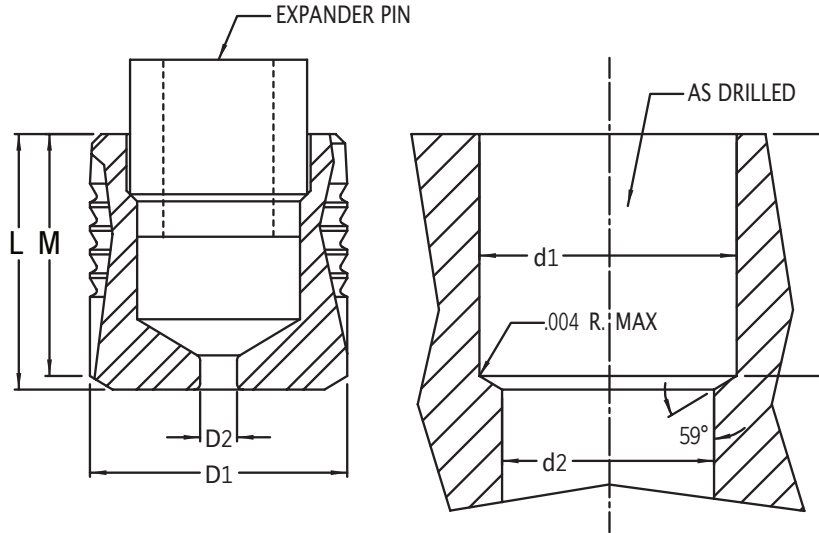


EIS
ENGINEERED
 INSERTS & SYSTEMS, INC.

EIS Expansion Restrictors

Calibrated Orifices
 Custom Sizes Available
 Easy As 1-2-3 To Install

All Stainless Steel
 Flow Testing Available



METRIC EXPANSION SIZES							
Part Number	Restrictor Dimensions				Hole Dimensions		
	+ 0	+/-0.010	+/-0.010	+/- .001	+0.10/-0	(min)	(max)
	D1 (mm)	L (mm)	M (mm)	D2 Orifice size (in)	d1	A	d2
EIS-RM-04-XXX	4.00/-.030	4.00	3.70	.012 thru .050	4.00	3.8	3.3
EIS-RM-05-XXX	5.00/-.030	5.50	5.20	.012 thru .075	5.00	5.3	4.3
EIS-RM-06-XXX	6.00/-.030	6.50	6.20	.012 thru .100	6.00	6.3	5.3
EIS-RM-07-XXX	7.00/-.036	7.50	7.20	.012 thru .130	7.00	7.3	6.2
EIS-RM-08-XXX	8.00/-.036	8.50	8.20	.012 thru .150	8.00	8.3	7.2
EIS-RM-09-XXX	9.00/-.036	10.00	9.70	.012 thru .170	9.00	9.8	8.2
EIS-RM-10-XXX	10.00/-.036	11.00	10.70	.012 thru .195	10.00	10.8	9.2
EIS-RM-12-XXX	12.00/-.043	13.00	12.70	.012 thru .240	12.00	12.8	11.0
EIS-RM-14-XXX	14.00/-.043	15.00	14.40	.012 thru .280	14.00	14.5	13.0

Example: EIS-RM-04-015 describes a 4mm stainless steel EIS restrictor with a .015" orifice

Engineered Inserts & Systems, Inc.

QMS is certified to IATF 16949

RoHS Compliant

Phone: 203-301-3334

Fax: 203-301-3335

Web: eisinserts.com