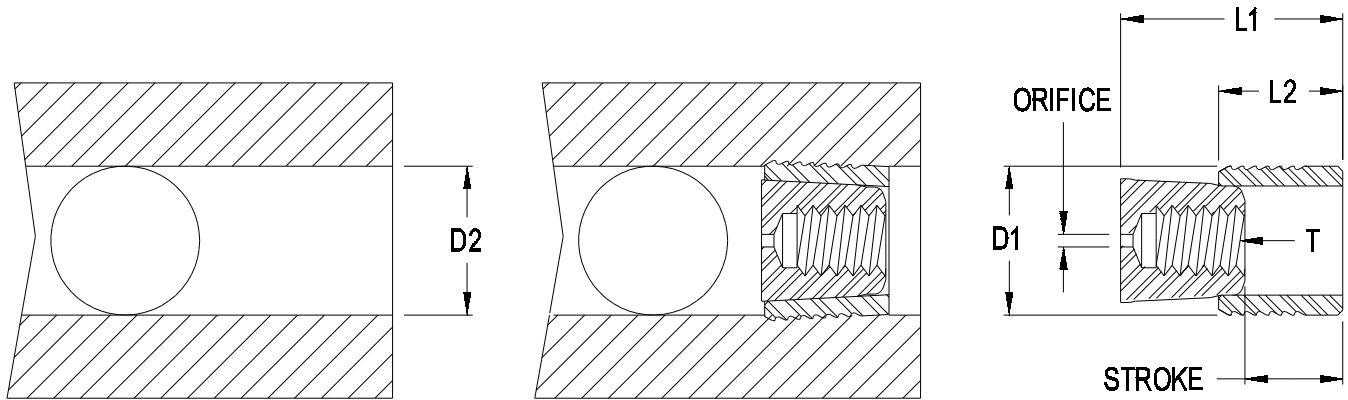


# EIS LRSO Metric Series PULLPLUG Restrictor

“patent pending”

Sleeve and Pin Materials: See Below



(Dimensions in mm unless otherwise specified)						
D1	L1 +0.25/-0.25	D2 +0.1/-0.0	L2 REF	STROKE	T	EIS P/N
5,0	9,4	5,0	5,5	3,0 +0.00/ -1.0	4-40UNC	EIS- <span style="color:red">□</span> LRSO <span style="color:green">○</span> -050
6,0	11,5	6,0	6,5	3,5 +0.00/ -1.0	3,0 X 0,5	EIS- <span style="color:red">□</span> LRSO <span style="color:green">○</span> -060
7,0	13,5	7,0	7,5	4,0 +0.00/ -1.0	6-32UNC	EIS- <span style="color:red">□</span> LRSO <span style="color:green">○</span> -070
8,0	15,4	8,0	8,5	5,0 +0.00/ -1.0	4,0 X 0,7	EIS- <span style="color:red">□</span> LRSO <span style="color:green">○</span> -080
9,0	16,4	9,0	9,5	5,0 +0.00/ -2.0	5,0 x 0,8	EIS- <span style="color:red">□</span> LRSO <span style="color:green">○</span> -090
10,0	19,5	10,0	10,5	5,0 +0.00/ -2.0	6,0 X 1,0	EIS- <span style="color:red">□</span> LRSO <span style="color:green">○</span> -100
12,0	13,2	12,0	7,5	5,7 +0.00/ -2.0	5.0 X 0.8	EIS- <span style="color:red">□</span> LRSO <span style="color:green">○</span> -120
14,0	13,9	14,0	8,0	5,9 +0.00/ -2.0	6.0 X 1.0	EIS- <span style="color:red">□</span> LRSO <span style="color:green">○</span> -140
16,0	18,2	16,0	10,5	7,7 +0.00/ -2.5	8.0 X 1.25	EIS- <span style="color:red">□</span> LRSO <span style="color:green">○</span> -160
18,0	20,2	18,0	12,0	8,2 +0.00/ -2.5	8.0 X 1.25	EIS- <span style="color:red">□</span> LRSO <span style="color:green">○</span> -180
20,0	22,2	20,0	13,0	9,2 +0.00/ -2.5	10.0 X 1.5	EIS- <span style="color:red">□</span> LRSO <span style="color:green">○</span> -200
22,0	22,2	22,0	13,0	9,2 +0.00/ -2.5	10.0 X 1.5	EIS- <span style="color:red">□</span> LRSO <span style="color:green">○</span> -220

□ Plug Material:

1 = Case Hardening Steel, Black Oxide Finish

3 = 303 Stainless Steel

5 = 6061 5 = 7075 T6

○ Pin Material:

4 = 416SS

7 = 17-4PH

Example: EIS-1LRSO7-100-040 (Steel plug with a 17-4PH pin and a .040" drilled orifice)

**Engineered Inserts & Systems, Inc.**

Certified IATF 16949: 2016

RoHS Compliant

Phone: 203-301-3334

Fax: 203-301-3335

Web: [eisinserts.com](http://eisinserts.com)