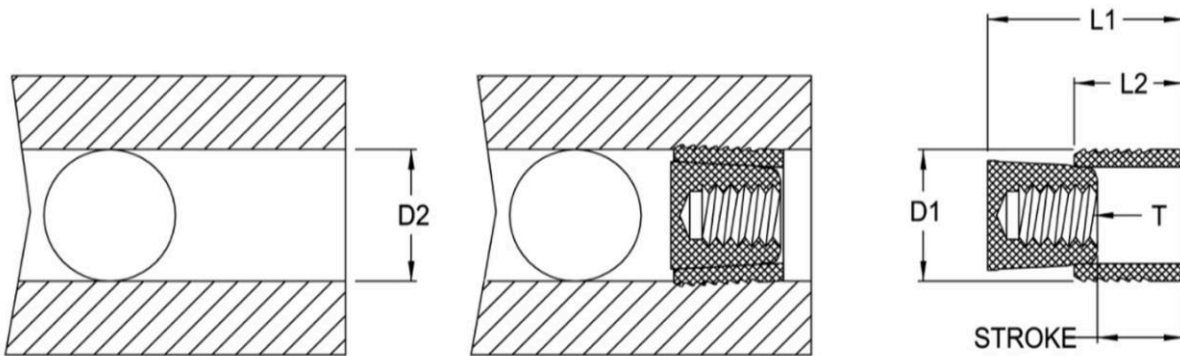


EIS LRST Metric Series PULLPLUGS™

Patent: 10,040,182

Sleeve and Pin Materials: See Below

Max. Operating: 60 Bar (900 psi)



(Dimensions in mm unless otherwise specified)						
D1	L1	D2 +0.1/-0.0	L2 REF	STROKE	T	EIS P/N
5,0	7,5	5,0	4,5	3,0 +0.00/ -1.0	4-40UNC	EIS- □ LRST ○ -050
6,0	8,5	6,0	5,0	3,5 +0.00/ -1.0	3.0 X 0.5	EIS- □ LRST ○ -060
7,0	9,5	7,0	5,5	4,0 +0.00/ -1.0	6-32UNC	EIS- □ LRST ○ -070
8,0	11,5	8,0	6,5	5,0 +0.00/ -1.0	4.0 X 0.7	EIS- □ LRST ○ -080
9,0	11,5	9,0	6,5	5,0 +0.00/ -2.0	4.0 X 0.7	EIS- □ LRST ○ -090
10,0	11,5	10,0	6,5	5,0 +0.00/ -2.0	5.0 X 0.8	EIS- □ LRST ○ -100
12,0	13,2	12,0	7,5	5,7 +0.00/ -2.0	5.0 X 0.8	EIS- □ LRST ○ -120
14,0	13,9	14,0	8,0	5,9 +0.00/ -2.0	6.0 X 1.0	EIS- □ LRST ○ -140
16,0	18,2	16,0	10,5	7,7 +0.00/ -2.5	8.0 X 1.25	EIS- □ LRST ○ -160
18,0	20,2	18,0	12,0	8,2 +0.00/ -2.5	8.0 X 1.25	EIS- □ LRST ○ -180
20,0	21,2	20,0	12,5	8,7 +0.00/ -2.5	10.0 X 1.5	EIS- □ LRST ○ -200
22,0	22,2	22,0	13,0	9,2 +0.00/ -2.5	10.0 X 1.5	EIS- □ LRST ○ -220

□ Plug Material:

- 1 = Case Hardening Steel, Black Oxide Finish
- 3 = 303 Stainless Steel
- 5 = 6061

○ Pin Material:

- 4 = 416SS
- 7 = 17-4PH
- 5 = 7075 T6

Example: EIS-5LRST5-100 (6061 aluminum plug with 7075 T6 aluminum pin)

Engineered Inserts & Systems, Inc.

Certified IATF 16949: 2016 RoHS Compliant

Phone: 203-301-3334

Fax: 203-301-3335

Web: eisinserts.com