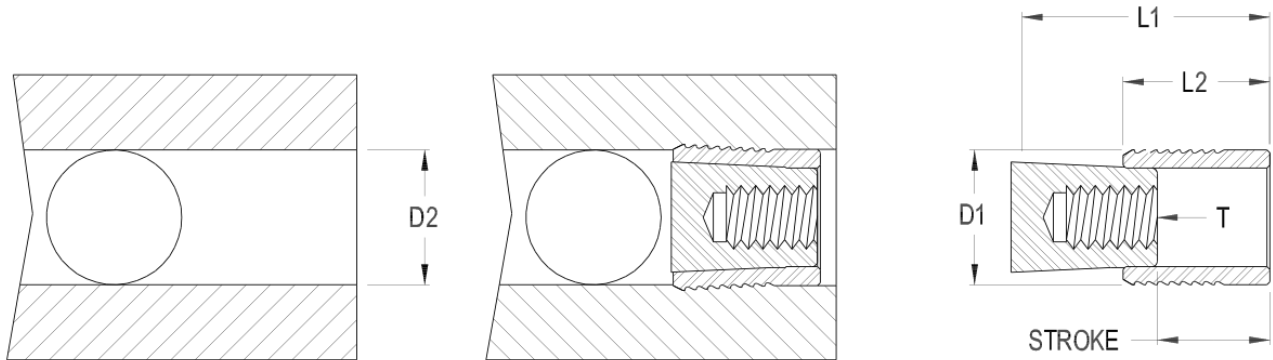


# EIS RST Metric Series PULLPLUGS™

Patent: 10,040,182

Sleeve and Pin Materials: See Below



(Dimensions in mm unless otherwise specified)

D1	L1	D2 +0.1/-0.0	L2 REF	STROKE	T	EIS P/N
5,0	9,4	5,0	5,5	4.0 +0.00/ -1.0	4-40UNC	EIS- <span style="color:red">□</span> RST <span style="color:green">○</span> -050
6,0	11,5	6,0	6,5	5.0 +0.00/ -1.0	6-32UNC	EIS- <span style="color:red">□</span> RST <span style="color:green">○</span> -060
7,0	13,5	7,0	7,5	6,0 +0.00/ -1.0	4,0 x 0,7	EIS- <span style="color:red">□</span> RST <span style="color:green">○</span> -070
8,0	15,4	8,0	8,5	6.8 +0.00/ -1.0	4,0 X 0,7	EIS- <span style="color:red">□</span> RST <span style="color:green">○</span> -080
9,0	17,5	9,0	9,5	7,2 +0.00/ -2.0	5,0 x 0,8	EIS- <span style="color:red">□</span> RST <span style="color:green">○</span> -090
10,0	19,5	10,0	10,5	8,2 +0.00/ -2.0	6,0 X 1,0	EIS- <span style="color:red">□</span> RST <span style="color:green">○</span> -100
12,0	22,0	12,0	12,5	8,7 +0.00/ -2.0	6,0 X 1,0	EIS- <span style="color:red">□</span> RST <span style="color:green">○</span> -120
14,0	26,0	14,0	14,5	10,7 +0.00/ -2.0	8,0 X 1,25	EIS- <span style="color:red">□</span> RST <span style="color:green">○</span> -140
16,0	30,0	16,0	16,5	12,7 +0.00/ -2.5	8.0 X 1,25	EIS- <span style="color:red">□</span> RST <span style="color:green">○</span> -160
18,0	34,0	18,0	18,5	14,7 +0.00/ -2.5	10,0 X 1,5	EIS- <span style="color:red">□</span> RST <span style="color:green">○</span> -180
20,0	37,7	20,0	20,5	16,2 +0.00/ -2.5	10,0 X 1,5	EIS- <span style="color:red">□</span> RST <span style="color:green">○</span> -200
22,0	40,7	22,0	22,0	17,7 +0.00/ -2.5	10,0 X 1,5	EIS- <span style="color:red">□</span> RST <span style="color:green">○</span> -220

□ Plug Material:

- 1 = Case Hardening Steel, Black Oxide Finish
- 3 = 303 Stainless Steel
- 5 = 6061

○ Pin Material:

- 4 = 416SS
- 7 = 17-4PH
- 5 = 7075 T6

Example: EIS-5RST5-100 (6061 aluminum plug with 7075 T6 aluminum pin)

**Engineered Inserts & Systems, Inc.**

Certified IATF 16949-2016 RoHS Compliant

Phone: 203-301-3334

Fax: 203-301-3335

Web: [eisinserts.com](http://eisinserts.com)