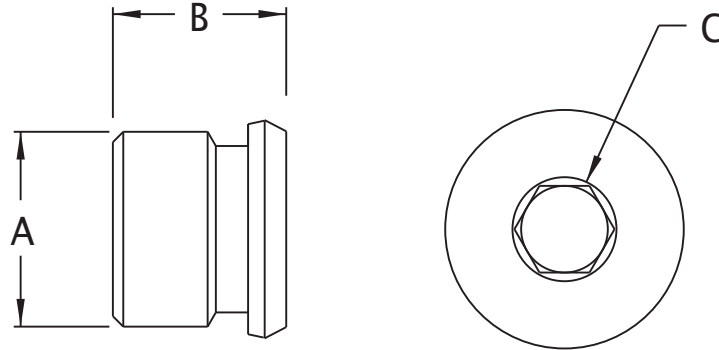




EIS
ENGINEERED
 INSERTS & SYSTEMS, INC.

EIS SAE0 Series Threaded “No Leak” Sealing Plugs SAE J1926

Finish: Commercial Yellow Trivalent Zinc



(Dimensions in inches unless otherwise specified)

SAE Dash Size	Port Size	A Threads	B Length	C Hex	EIS P/N
-02	1/8	5/16-24	.38	.125	EIS-SAE0-02
-03	3/16	3/8-24	.38	.125	EIS-SAE0-03
-04	1/4	7/16-20	.45	.188	EIS-SAE0-04
-05	5/16	1/2-20	.46	.218	EIS-SAE0-05
-06	3/8	9/16-18	.48	.250	EIS-SAE0-06
-08	1/2	3/4-16	.56	.313	EIS-SAE0-08
-10	5/8	7/8-14	.63	.375	EIS-SAE0-10
-12	3/4	1 1/16-12	.75	.563	EIS-SAE0-12
-14	7/8	1 3/16-12	.75	.563	EIS-SAE0-14
-16	1	1 5/16-12	.75	.625	EIS-SAE0-16
-20	1 1/4	1 5/8-12	.75	.750	EIS-SAE0-20
-24	1 1/2	1 7/8-12	.75	.750	EIS-SAE0-24
-32	2	2 1/2-12	.75	.750	EIS-SAE0-32

Engineered Inserts & Systems, Inc.

QMS is certified to IATF 16949

RoHS Compliant

Phone: 203-301-3334

Fax: 203-301-3335

Web: eisinserts.com