



EIS
ENGINEERED
 INSERTS & SYSTEMS, INC.

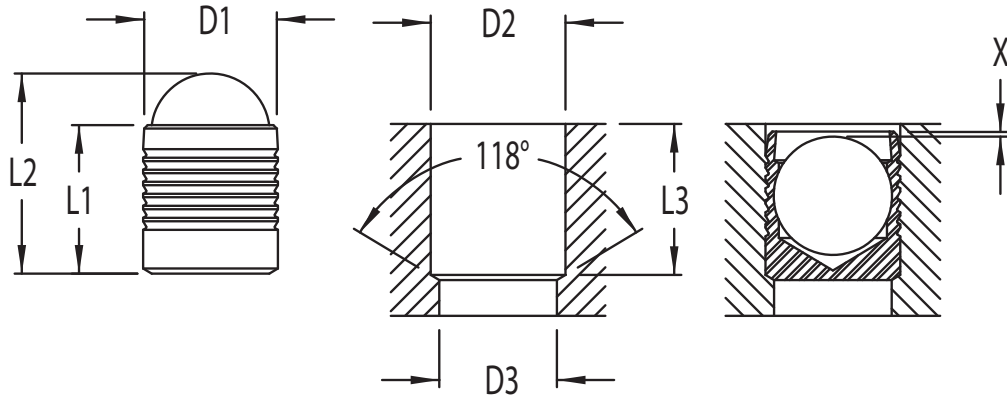
EIS-11 Inch Short Series Sealing Plugs

"1" Plug

Case Hardening
 Steel Commercial zinc

"1" Ball

Bearing Steel
 Heat Treated



(Dimensions in inches unless otherwise specified)

D1	L1	L2 REF	D2 + 0.004 - 0	D3 max.	L3 min.	X + 0 - 0.010	Type
.0937	.098	.12	.0937	.070	.081	0.010	EIS-11-093S
.1250	.125	.16	.1250	.100	.113	0.010	EIS-11-125S
.1562	.125	.17	.1562	.130	.113	0.010	EIS-11-156S
.1875	.187	.24	.1875	.160	.170	0.010	EIS-11-187S
.2187	.187	.25	.2187	.190	.170	0.010	EIS-11-218S
.2500	.225	.30	.2500	.220	.196	0.010	EIS-11-250S
.2812	.256	.35	.2812	.250	.233	0.010	EIS-11-281S
.3125	.280	.39	.3125	.281	.255	0.010	EIS-11-312S
.3437	.307	.43	.3437	.312	.275	0.010	EIS-11-343S
.4062	.365	.52	.4062	.375	.308	0.010	EIS-11-406S

Engineered Inserts & Systems, Inc.

QMS is certified to IATF 16949

RoHS Compliant

Phone: 203-301-3334

Fax: 203-301-3335

Web: eisinserts.com