

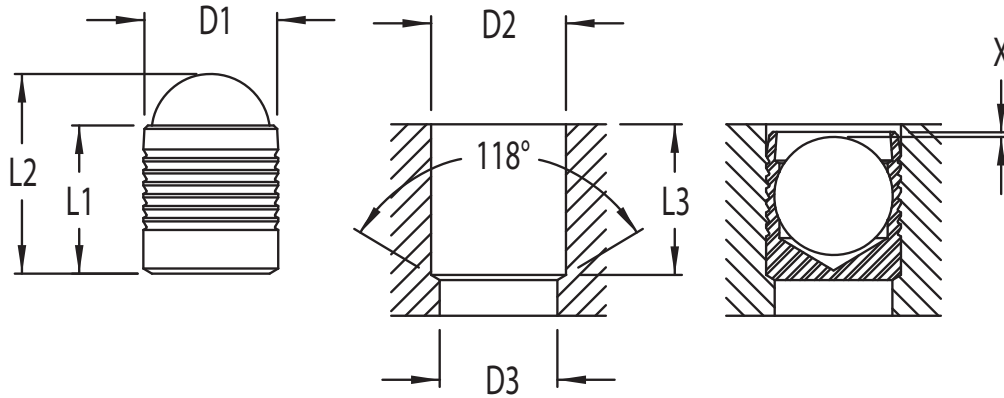


EIS
ENGINEERED
INSERTS & SYSTEMS, INC.

EIS-31 Inch Series Sealing Plugs

“3” Plug
300 Series
Stainless Steel

“1” Ball
Bearing Steel
Heat Treated



(Dimensions in inches unless otherwise specified)

| D1 | L1 | L2 REF | D2 + 0.004 - 0 | D3 max. | L3 min. | X + 0 - 0.010 | Type |
|-------|------|-----------|----------------------|---------|---------|---------------------|------------|
| .1562 | .157 | .21 | .1562 | .130 | .150 | 0.010 | EIS-31-156 |
| .1875 | .216 | .28 | .1875 | .160 | .209 | 0.010 | EIS-31-187 |
| .2187 | .220 | .28 | .2187 | .190 | .208 | 0.010 | EIS-31-218 |
| .2500 | .256 | .34 | .2500 | .220 | .248 | 0.010 | EIS-31-250 |
| .2812 | .295 | .40 | .2812 | .250 | .287 | 0.010 | EIS-31-281 |
| .3125 | .334 | .46 | .3125 | .281 | .327 | 0.010 | EIS-31-312 |
| .3437 | .394 | .53 | .3437 | .312 | .385 | 0.010 | EIS-31-343 |
| .3750 | .394 | .60 | .3750 | .343 | .425 | 0.010 | EIS-31-375 |
| .4062 | .437 | .59 | .4062 | .375 | .425 | 0.010 | EIS-31-406 |
| .4375 | .515 | .68 | .4375 | .406 | .503 | 0.010 | EIS-31-437 |
| .4687 | .515 | .71 | .4687 | .437 | .504 | 0.010 | EIS-31-468 |
| .5625 | .570 | .82 | .5625 | .510 | .570 | 0.010 | EIS-31-562 |
| .6250 | .669 | .91 | .6250 | .562 | .649 | 0.010 | EIS-31-625 |
| .6875 | .748 | 1.03 | .6874 | .625 | .727 | 0.010 | EIS-31-687 |
| .7500 | .866 | 1.18 | .7500 | .688 | .845 | 0.010 | EIS-31-750 |
| .8750 | .984 | 1.35 | .8750 | .813 | .963 | 0.010 | EIS-31-875 |

Engineered Inserts & Systems, Inc.

QMS is certified to IATF 16949

RoHS Compliant

Phone: 203-301-3334

Fax: 203-301-3335

Web: eisinserts.com