



EIS
ENGINEERED
 INSERTS & SYSTEMS, INC.

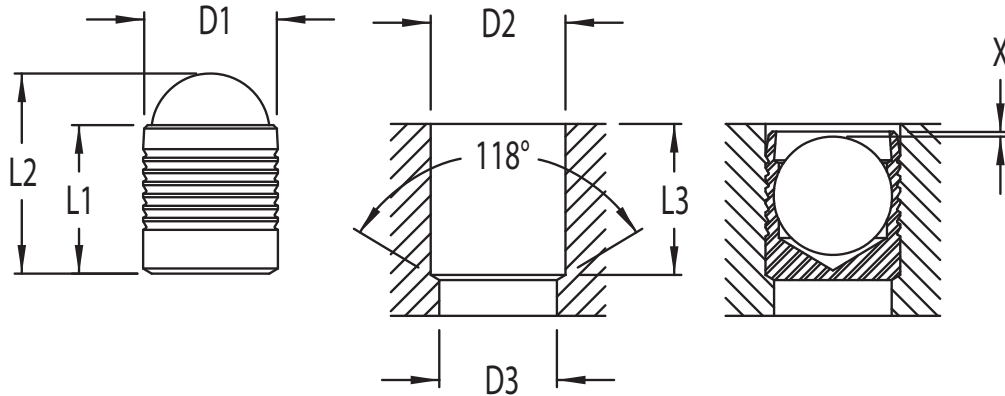
EIS-31 Metric Series Sealing Plugs

“3” Plug

300 Series
 Stainless Steel

“1” Ball

Bearing Steel
 Heat treated



(Dimensions in mm unless otherwise specified)

| D1 | L1 | L2 REF | D2 +0.1 0 | D3 max. | L3 min. | X +/- .2 | EIS/PN |
|------|------|-----------|-----------------|---------|---------|-------------|------------|
| 3.0 | 3.6 | 4.6 | 3.0 | 2.2 | 3.4 | 0.4 | EIS-31-030 |
| 4.0 | 4.0 | 5.2 | 4.0 | 3.3 | 3.8 | 0.2 | EIS-31-040 |
| 5.0 | 5.5 | 7.1 | 5.0 | 4.3 | 5.3 | 0.4 | EIS-31-050 |
| 6.0 | 6.5 | 8.7 | 6.0 | 5.3 | 6.3 | 0.4 | EIS-31-060 |
| 7.0 | 7.5 | 10.2 | 7.0 | 6.4 | 7.3 | 0.4 | EIS-31-070 |
| 8.0 | 8.5 | 11.6 | 8.0 | 7.4 | 8.3 | 0.3 | EIS-31-080 |
| 9.0 | 10.0 | 13.6 | 9.0 | 8.4 | 9.8 | 0.4 | EIS-31-090 |
| 10.0 | 11.0 | 14.9 | 10.0 | 9.4 | 10.8 | 0.4 | EIS-31-100 |
| 12.0 | 13.0 | 17.9 | 12.0 | 10.6 | 12.8 | 0.4 | EIS-31-120 |
| 14.0 | 15.0 | 20.6 | 14.0 | 12.7 | 14.5 | 0.4 | EIS-31-140 |
| 16.0 | 17.0 | 23.4 | 16.0 | 14.7 | 16.5 | 0.6 | EIS-31-160 |
| 18.0 | 19.0 | 26.4 | 18.0 | 16.7 | 18.5 | 0.6 | EIS-31-180 |
| 20.0 | 22.0 | 30.1 | 20.0 | 18.7 | 21.5 | 0.8 | EIS-31-200 |
| 22.0 | 25.0 | 34.0 | 22.0 | 20.7 | 24.5 | 0.8 | EIS-31-220 |

Engineered Inserts & Systems, Inc.

QMS is certified to IATF 16949

RoHS Compliant

Phone: 203-301-3334

Fax: 203-301-3335

Web: eisinserts.com