

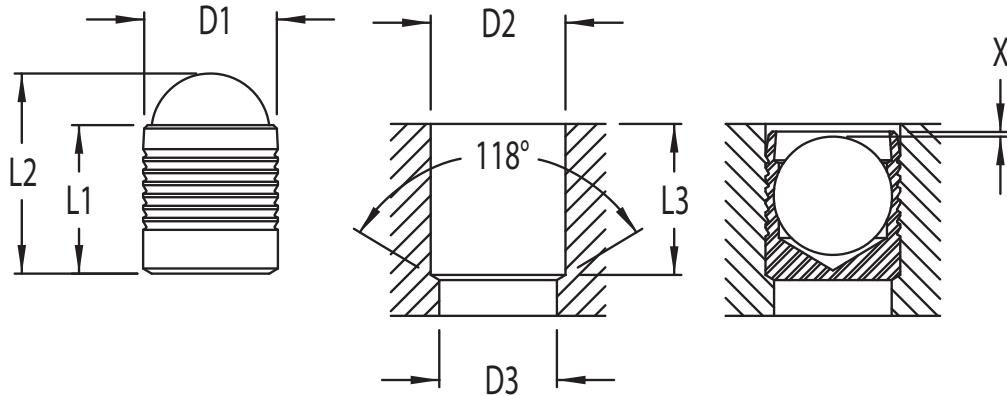


EIS
ENGINEERED
 INSERTS & SYSTEMS, INC.

EIS-33 Inch Short Series Sealing Plugs

“3” Plug
 300 Series
 Stainless Steel

“3” Ball
 300 Series
 Stainless Steel



(Dimensions in inches unless otherwise specified)

| D1 | L1 | L2 REF | D2 + 0.004 - 0 | D3 max. | L3 min. | X + 0 - 0.010 | Type |
|-------|------|-----------|----------------------|---------|---------|---------------------|-------------|
| .0937 | .098 | .12 | .0937 | .070 | .081 | 0.010 | EIS-33-093S |
| .1250 | .125 | .16 | .1250 | .100 | .113 | 0.010 | EIS-33-125S |
| .1562 | .125 | .17 | .1562 | .130 | .113 | 0.010 | EIS-33-156S |
| .1875 | .187 | .24 | .1875 | .160 | .170 | 0.010 | EIS-33-187S |
| .2187 | .187 | .25 | .2187 | .190 | .170 | 0.010 | EIS-33-218S |
| .2500 | .225 | .30 | .2500 | .220 | .196 | 0.010 | EIS-33-250S |
| .2812 | .256 | .35 | .2812 | .250 | .233 | 0.010 | EIS-33-281S |
| .3125 | .280 | .39 | .3125 | .281 | .255 | 0.010 | EIS-33-312S |
| .3437 | .307 | .43 | .3437 | .312 | .275 | 0.010 | EIS-33-343S |
| .4062 | .365 | .52 | .4062 | .375 | .308 | 0.010 | EIS-33-406S |

Engineered Inserts & Systems, Inc.

QMS is certified to IATF 16949

RoHS Compliant

Phone: 203-301-3334

Fax: 203-301-3335

Web: eisinserts.com