

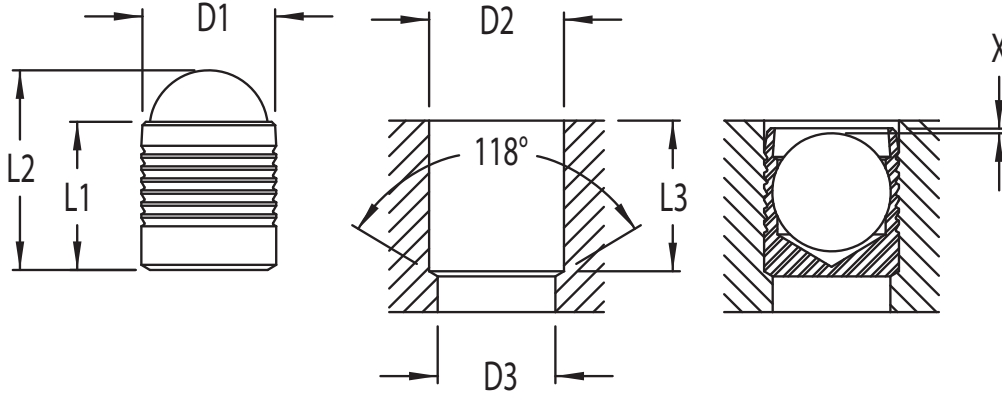


**EIS**  
**ENGINEERED**  
 INSERTS & SYSTEMS, INC.

## EIS-53 Inch Series Sealing Plugs

“5” Plug

2024-T4 Aluminum



(Dimensions in inches unless otherwise specified)

D1	L1	L2 REF	D2 + 0.004 - 0	D3 max.	L3 min.	X + 0 - 0.010	EIS P/N Plain	EIS P/N Anodized Green	EIS P/N Allodined Chromate
.1562	.157	.21	.1562	.130	.150	0.010	EIS-5P3-156	EIS-5N3-156	EIS-5L3-156
.1875	.216	.28	.1875	.160	.209	0.010	EIS-5P3-187	EIS-5N3-187	EIS-5L3-187
.2187	.220	.28	.2187	.190	.208	0.010	EIS-5P3-218	EIS-5N3-218	EIS-5L3-218
.2500	.256	.34	.2500	.220	.248	0.010	EIS-5P3-250	EIS-5N3-250	EIS-5L3-250
.2812	.295	.40	.2812	.250	.287	0.010	EIS-5P3-281	EIS-5N3-281	EIS-5L3-281
.3125	.334	.46	.3125	.281	.327	0.010	EIS-5P3-312	EIS-5N3-312	EIS-5L3-312
.3437	.394	.53	.3437	.312	.385	0.010	EIS-5P3-343	EIS-5N3-343	EIS-5L3-343
.3750	.433	.60	.3750	.343	.425	0.010	EIS-5P3-375	EIS-5N3-375	EIS-5L3-375
.4062	.437	.59	.4062	.375	.425	0.010	EIS-5P3-406	EIS-5N3-406	EIS-5L3-406
.4375	.515	.68	.4375	.406	.503	0.010	EIS-5P3-437	EIS-5N3-437	EIS-5L3-437
.4687	.515	.71	.4687	.437	.504	0.010	EIS-5P3-468	EIS-5N3-468	EIS-5L3-468
.5625	.570	.82	.5625	.510	.570	0.010	EIS-5P3-562	EIS-5N3-562	EIS-5L3-562
.6250	.669	.91	.6250	.562	.649	0.010	EIS-5P3-625	EIS-5N3-625	EIS-5L3-625
.6875	.748	1.03	.6874	.625	.727	0.010	EIS-5P3-687	EIS-5N3-687	EIS-5L3-687
.7500	.866	1.18	.7500	.688	.845	0.010	EIS-5P3-750	EIS-5N3-750	EIS-5L3-750
.8750	.984	1.35	.8750	.813	.963	0.010	EIS-5P3-875	EIS-5N3-875	EIS-5L3-875

### Engineered Inserts & Systems, Inc.

QMS is certified to IATF 16949

RoHS Compliant

Phone: 203-301-3334

Fax: 203-301-3335

Web: [eisinserts.com](http://eisinserts.com)