



EIS
ENGINEERED
INSERTS & SYSTEMS, INC.

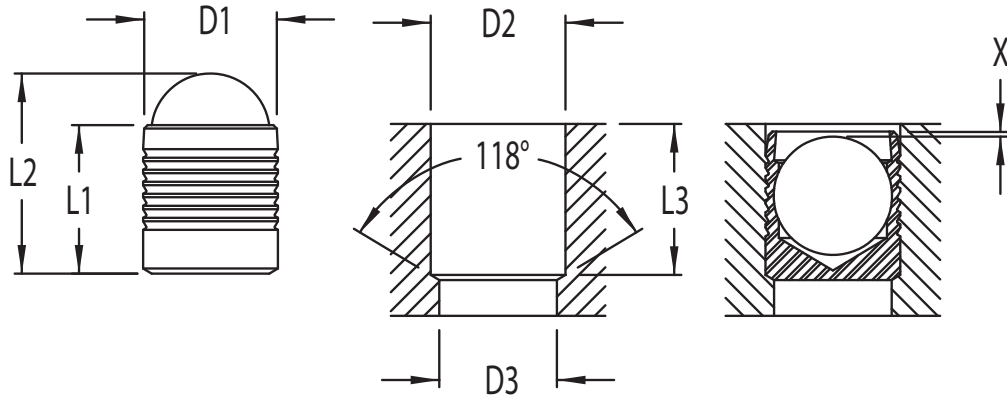
EIS-53 Inch Short Series Sealing Plugs

“5” Plug

2024-T4 Aluminum

“3” Ball

300 Series Stainless Steel



(Dimensions in inches unless otherwise specified)

D1	L1	L2 REF	D2 + 0.004 - 0	D3max.	L3min.	X + 0 - 0.010	EISP/N Plain	EISP/N Anodize d Green	EISP/N Allodined Chromat
.0937	.098	.12	.0937	.070	.081	0.010	EIS-5P3-093S	EIS-5N3-093S	EIS-5L3-093S
.1250	.125	.16	.1250	.100	.113	0.010	EIS-5P3-125S	EIS-5N3-125S	EIS-5L3-125S
.1562	.125	.17	.1562	.130	.113	0.010	EIS-5P3-156S	EIS-5N3-156S	EIS-5L3-156S
.1875	.187	.24	.1875	.160	.170	0.010	EIS-5P3-187S	EIS-5N3-187S	EIS-5L3-187S
.2187	.187	.25	.2187	.190	.170	0.010	EIS-5P3-218S	EIS-5N3-218S	EIS-5L3-218S
.2500	.225	.30	.2500	.220	.196	0.010	EIS-5P3-250S	EIS-5N3-250S	EIS-5L3-250S
.2812	.256	.35	.2812	.250	.233	0.010	EIS-5P3-281S	EIS-5N3-281S	EIS-5L3-281S
.3125	.280	.39	.3125	.281	.255	0.010	EIS-5P3-312S	EIS-5N3-312S	EIS-5L3-312S
.3437	.307	.43	.3437	.312	.275	0.010	EIS-5P3-343S	EIS-5N3-343S	EIS-5L3-343S
.4062	.365	.52	.4062	.375	.308	0.010	EIS-5P3-406S	EIS-5N3-406S	EIS-5L3-406S

Engineered Inserts & Systems, Inc.

QMS is certified to IATF 16949

RoHS Compliant

Phone:

203-301-3334

Fax:

203-301-3335

Web:

eisinserts.co