



EIS
ENGINEERED
INSERTS & SYSTEMS, INC.

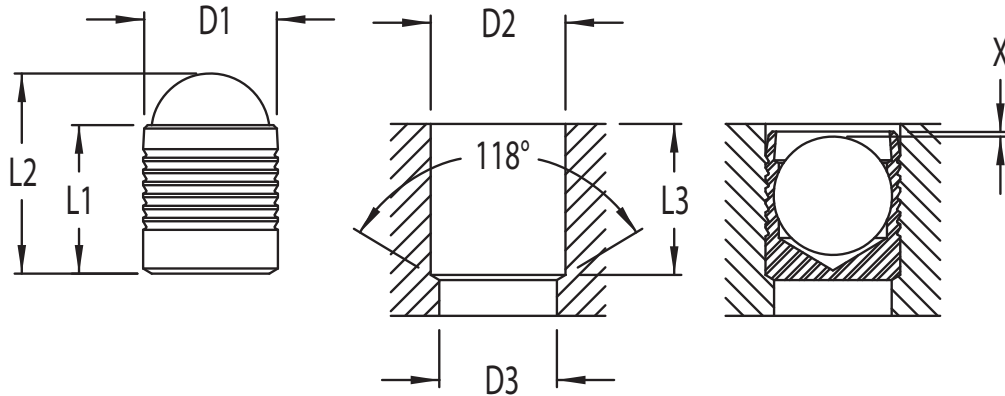
EIS-88 Metric Series Sealing Plugs

"8" Sleeve

316 Stainless Steel

"8" Ball

316 Stainless Steel



(Dimensions in mm unless otherwise specified)

D1	L1	L2 REF	D2 +0.1 0	D3 max.	L3 min.	X +/- .2	EIS/PN
3.0	3.6	4.6	3.0	2.2	3.4	0.4	EIS-88-030
4.0	4.0	5.2	4.0	3.3	3.8	0.2	EIS-88-040
5.0	5.5	7.0	5.0	4.3	5.3	0.4	EIS-88-050
6.0	6.5	8.6	6.0	5.3	6.3	0.4	EIS-88-060
7.0	7.5	10.1	7.0	6.4	7.3	0.4	EIS-88-070
8.0	8.5	11.7	8.0	7.4	8.3	0.3	EIS-88-080
9.0	10.0	13.7	9.0	8.4	9.8	0.4	EIS-88-090
10.0	11.0	14.9	10.0	9.4	10.8	0.4	EIS-88-100
12.0	13.0	18.0	12.0	10.6	12.8	0.4	EIS-88-120
14.0	15.0	20.8	14.0	12.7	14.5	0.4	EIS-88-140
16.0	17.0	23.7	16.0	14.7	16.5	0.6	EIS-88-160
18.0	19.0	26.3	18.0	16.7	18.5	0.6	EIS-88-180
20.0	22.0	30.5	20.0	18.7	21.5	0.8	EIS-88-200
22.0	25.0	34.2	22.0	20.7	24.5	0.8	EIS-88-220

Engineered Inserts & Systems, Inc.

QMS is certified to IATF 16949

RoHS Compliant

Phone: 203-301-3334

Fax: 203-301-3335

Web: eisinserts.com